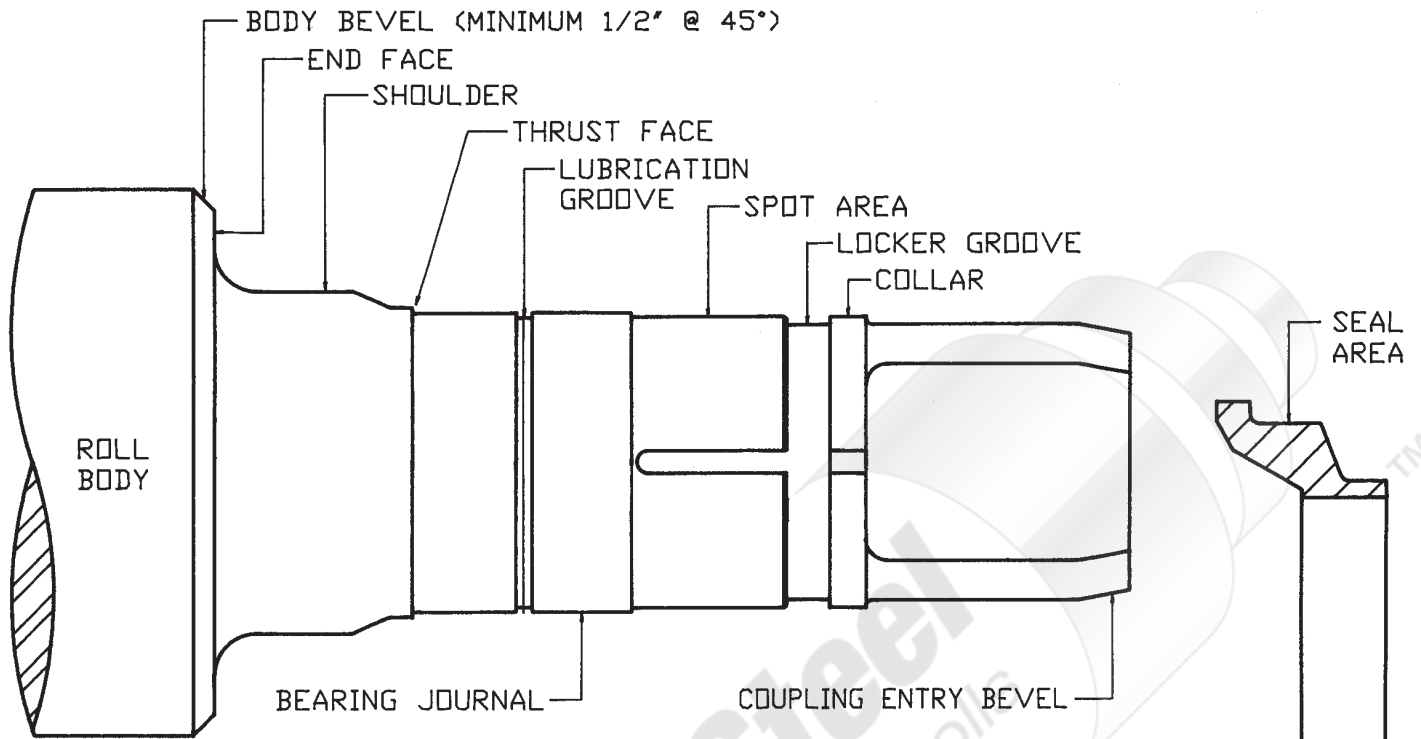
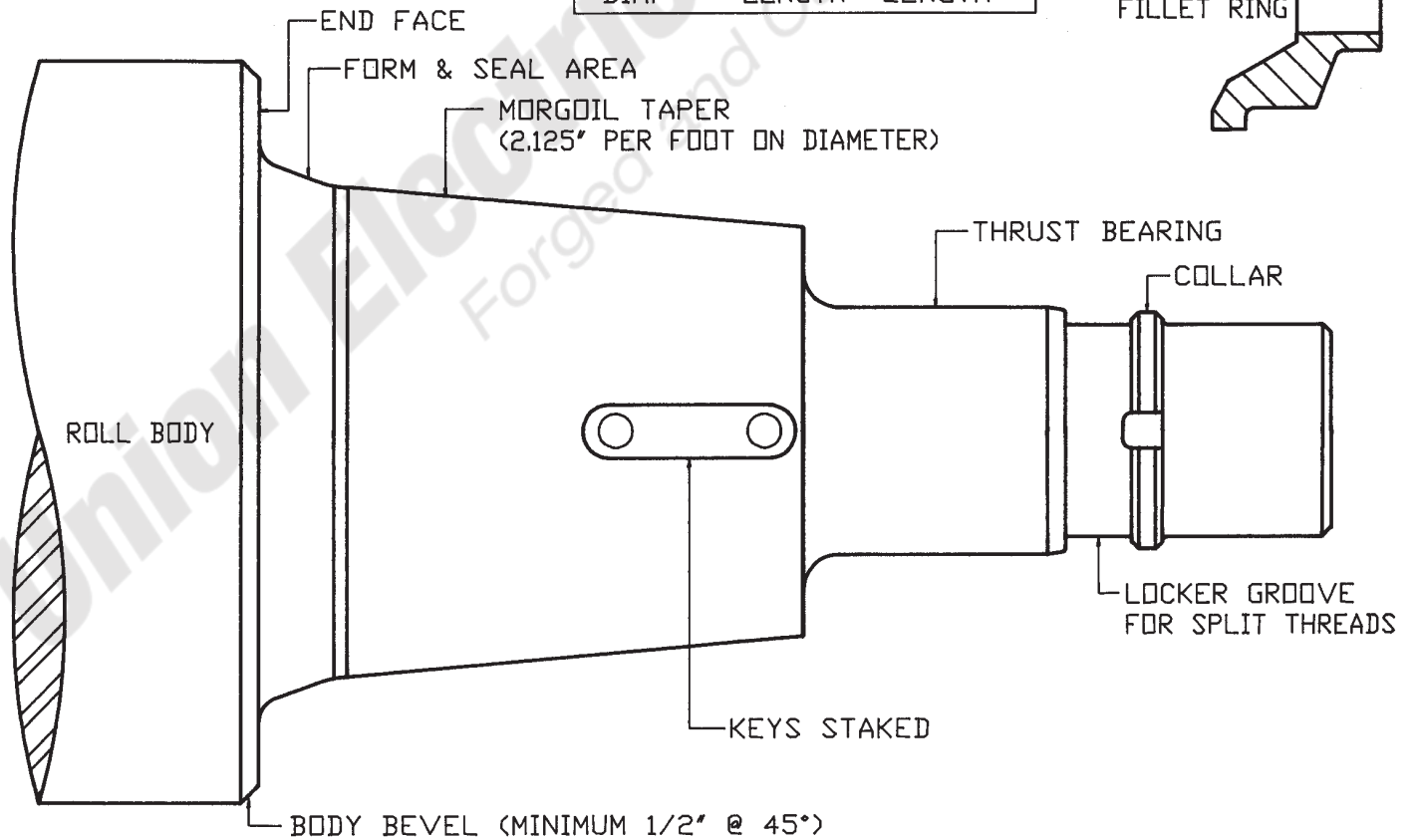


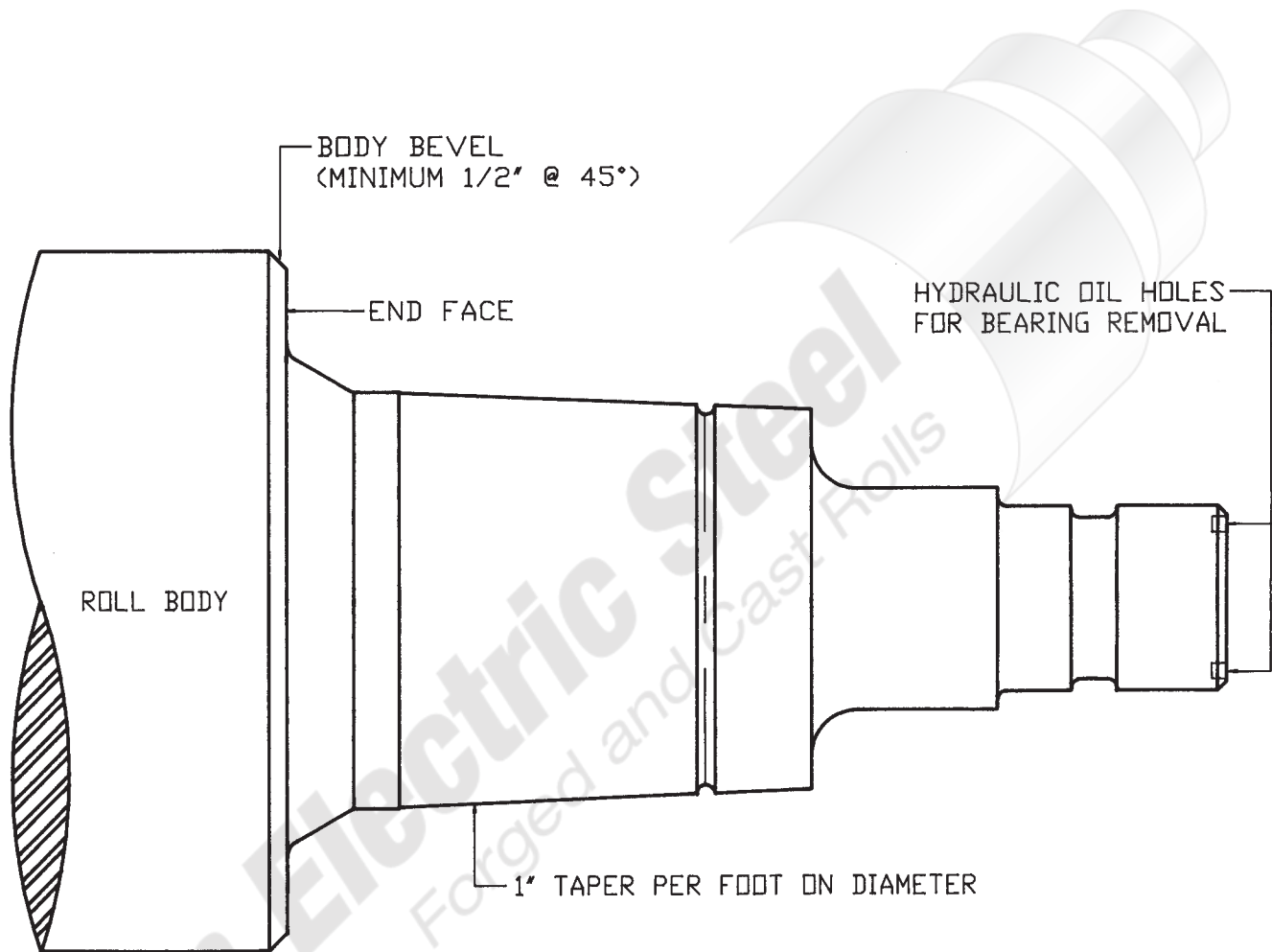
ROLL NOMENCLATURE



ROLL DESIGNATION		
24"	X	80" X 163"
BODY DIA.	BODY LENGTH	OVERALL LENGTH

TYP. THRUST RING OR FILLET RING





TM

Union Electric Steel
Forged and Cast Rolls